

Gzundo

PATIENT MOVERS

A single user can effortlessly move up to 800 kg hospital beds, treatment chairs & stretchers.

- ✓ No license required.
- ✓ 12-month warranty.
- ✓ Ergonomic design.
- ✓ Battery operated.
- ✓ Easy to use.



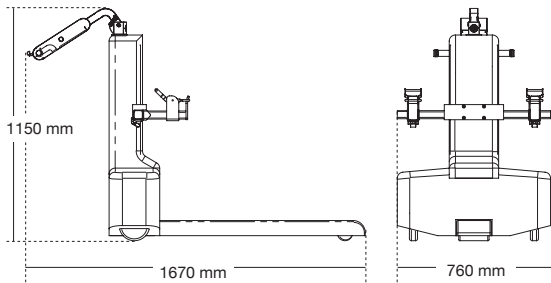
ELECTRODRIVE'S PATIENT MOVER RANGE

GZ30 Slimline

Suits most standard hospital beds.



Load capacity	500 kg
Features	<ul style="list-style-type: none"> • Compact and easy to manoeuvre in tight corridors. • Requires 100 mm of clearance under the bed (can be modified to 90 mm if required).
Battery	24V Li-ion battery with smart charger.
Speed	Up to 4.1 km/h
Order code	GZ30(NH)

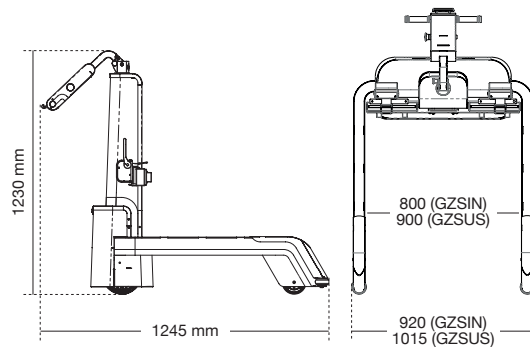


GZS

Suits bulky beds with no 'under bed clearance'.



Load capacity	600 kg
Features	<ul style="list-style-type: none"> • Easy to steer. • No under-bed clearance required.
Battery	Two 12V 33Ah MK-gel batteries with 24V smart charger.
Speed	Up to 5 km/h
Order code	<ul style="list-style-type: none"> • GZSIN(NH) (for beds 800 mm wide) • GZSUS(NH) (for beds 900 mm wide)

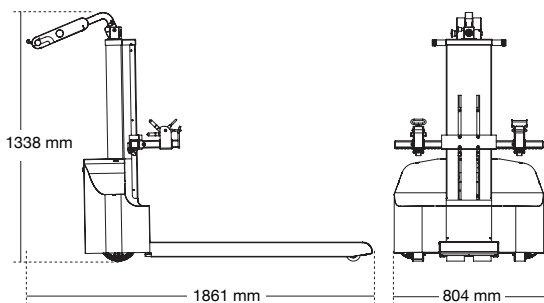


GZBARI

Suitable for moving bariatric patients.



Load capacity	800 kg on a 6° ramp
Features	<ul style="list-style-type: none"> • Compact and easy to steer. • Ergonomic design with power steering.
Battery	Four 12V 33Ah (Valen Gell 12G33) batteries with 24V smart charger.
Speed	Up to 5.5 km/h
Order code	GZBARI(NH)



P5W Retractable

A retrofittable solution for converting hospital beds into powered units.
Ask about our fitting service!



Load capacity	400 kg on flat ground.
Features	<p>Sold as a complete system. The retrofittable kit includes:</p> <ul style="list-style-type: none"> • Hand control unit. • Motorised retractable fifth wheel in carriage. • Slide-out battery carriage with batteries.
Battery	Two 33Ah MK-gel batteries (assembled within the slide-out carriage) and 7Ah smart charger, AU plug.
Speed	Up to 4.5 km/h
Order code	GZP5W400HBAU

