

Gzunda BED MOVERS

Move patients safely and easily

A single operator can
**move up
to 600 kg**
with minimal effort.



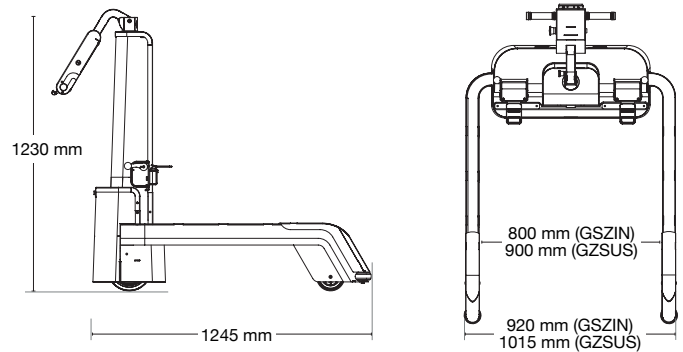
The Electrodrive bed mover range

GZUNDA GZS

- 600 kg capacity
- No under-bed clearance required



Operating capacity	600 kg
Voltage	24 V
Speed	up to 4 km/h
Order codes	GZSIN(NH) (for beds 800 mm wide) GZSUS(NH) (for beds 900 mm wide)

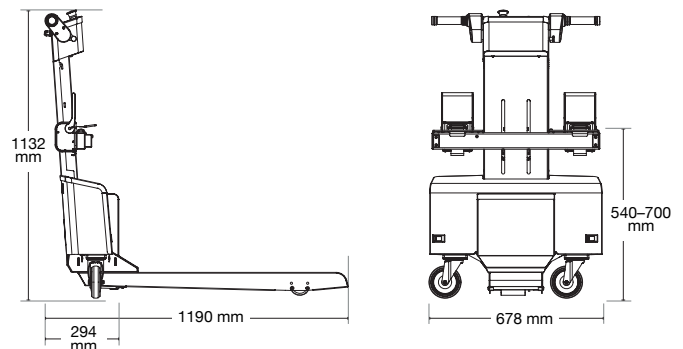


GZUNDA GZ10SL

- 500 kg capacity
- Compact and easy to manoeuvre in tight corridors
- Requires 100 mm of clearance under the bed (can be modified to 90 mm if required)



Operating capacity	500 kg
Voltage	24 V
Speed	up to 5 km/h
Order code	GZ10SL(NH)



Hitches available

	Order code
Gripper hitch Automatically grabs the bed frame with a press of a button. Three versions to fit bars with 15–35 mm, 20–40 mm or 35–55 mm widths.	EDHT1701 (15–35 mm) EDHT1700 (20–40 mm) EDHT1702 (35–55 mm)
Flex hitch Use of anti-bacterial strap to wrap around bed frame. Can strap onto round bed frames.	HT1810-017-C
Ratchet hitch Securely fasten hitch onto any shaped frame.	HT1900

Improve the safety of bed moving within your facility

The Gzunda's easy-to-use controls include a key switch, twist grip throttle, variable speed control, park brake, back-off bar, horn, emergency stop button and two Gel Type batteries (12V 33Ah). Bed movers are easy to use, quiet to operate with zero emissions, easy to drive with no license required and covered by a comprehensive 12-month warranty.

Electrodrive Pty Ltd | 1800 333 002 | sales@electrodrive.com.au | www.electrodrive.com.au

Victoria
 2A Ayton Street
 North Sunshine
 VIC 3020

Queensland
 Unit 4/11 Christensen Road
 Stapylton
 QLD 4207

