



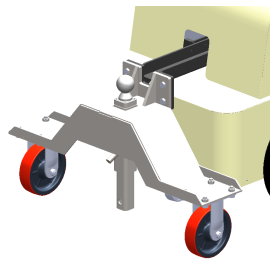
Electrodrive

Your move safe solution

Info Sheet: Tug Hitches

Hitching to loads is a critical part of implementing an Electrodrive Tug. The chart below details standard hitches available on the Tug range for a simple and effective solution.

Overview

Hitch Details	Hitch Codes	Typical application	Image
Pin hitch Standard hitch on Tug Compact	Tug Compact <ul style="list-style-type: none">HT1810-002 Diameter: 16mmHT1810-043 Diameter 19mm Tug Evo <ul style="list-style-type: none">HT1316 Diameter 19mm	<ul style="list-style-type: none">Trolley drawbar	
Auto Latching Hitch Standard hitch on Tug Evo	Tug Evo <ul style="list-style-type: none">HT1810-024	<ul style="list-style-type: none">Most common trolley hitchExisting Tug applications	
Clamping Hitch Optional hitch on Tug Evo and Tug Compact	Tug Evo & Tug Compact <ul style="list-style-type: none">HT1118	<ul style="list-style-type: none">Roll cagesLinen trolleysRented trolleys	
Tow Ball Hitch Available on Tug Evo Upgrade cost applicable	Tug Evo <ul style="list-style-type: none">HT810-023	<ul style="list-style-type: none">TrailersCaravansBoat trailers	



Electrodrive

Your move safe solution

www.electrodrive.com.au

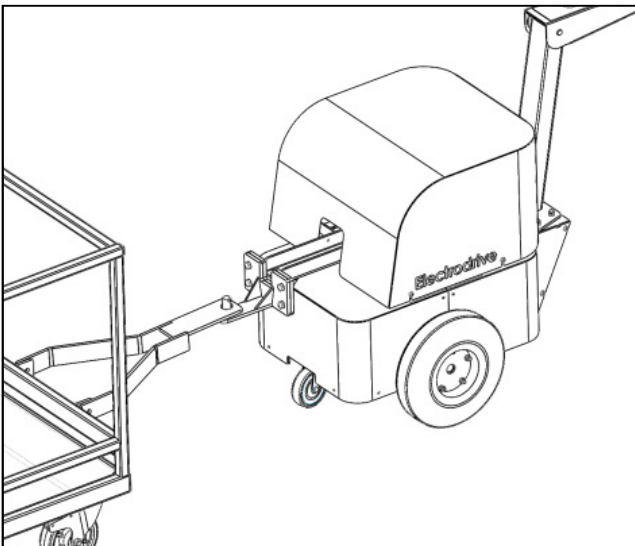
Pin hitch

Part No: HT1316 (TE), HT1810-002 & HT-1810-043 (TML)

The 'Pin' hitch is the common solution for trolleys fitted with draw bars. It can also be mounted upside down to suit spring loaded draw bars that are becoming more common in workplaces as they do not require any bending by the operator.

The hitching process is straight forward, simply engaging the hole on the drawbar with the pin on the hitch.

The standard pin diameter is 19mm (3/4").



Auto latching hitch

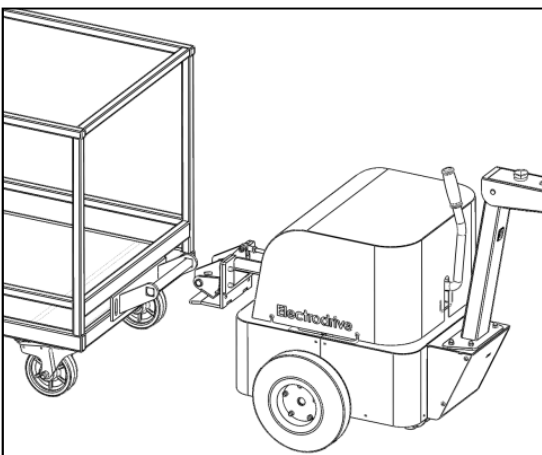
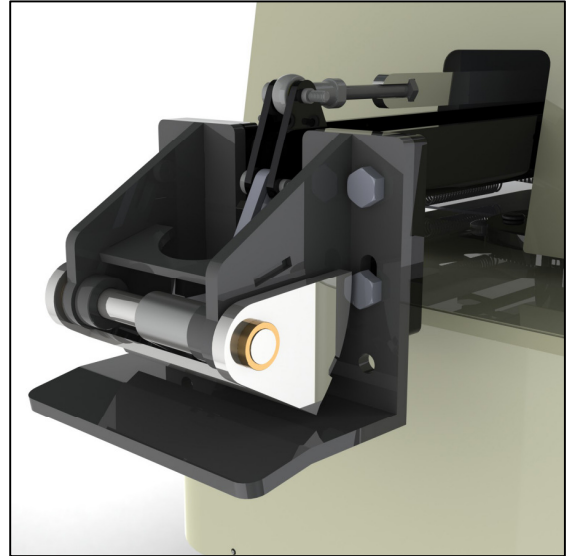
Part No: HT1810-024

This hitch requires minimal effort to engage. It works by simply driving the tug towards the load/trolley, and the hitch 'snaps' onto the bracket on the trolley – similar to a typical gate latch.

To disengage, pull back on the lever and drive the tug away from the trolley.

The brackets can be purchased from Electrodrive (Part No: HT1010) and they can be either welded or bolted on to the trolley. Many trolleys have been fitted with this bracket over the years, so this remains a very common hitch, particularly with repeat customers.

The brackets should be mounted so that the centreline of the round bar is 320mm from the ground, and the bracket should be located centrally on the trolley to maximize control when towing.



Clamping hitch

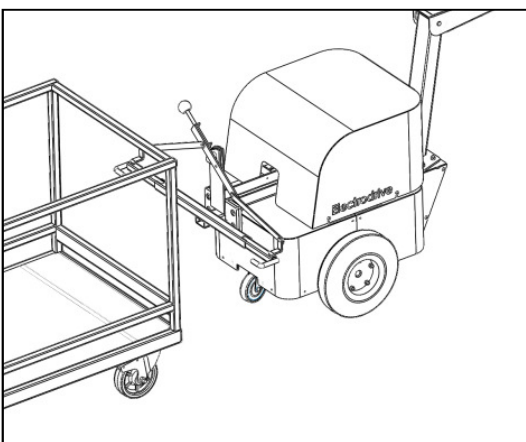
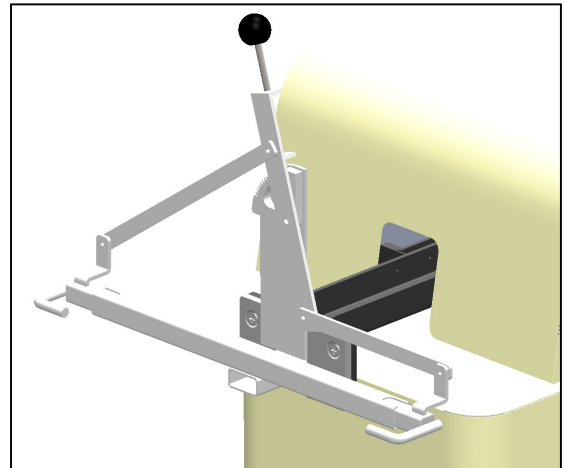
Part No: HT1118

The 'Clamping' hitch is suitable for trolleys that do not have a dedicated bracket to interface with a tug. These are common seen in linen trolleys where the trolleys belong to the linen company, and the tug belongs to a hospital for example. Other typical applications include roll cages and trolleys with wire mesh sides.

It works by clamping the load between 2 hooks. These hooks normally fit around the trolley frame. The clamping mechanism is controlled by a lever that locks in position to provide a secure lock.

To disengage, release the locking pin and open the hooks out.

The clamping hitch has a range of 140mm and typically suit trolley widths from 520mm to 660mm.





Electrodrive

Your move safe solution

Tow ball hitch

Part No: HT1810-023

The tow ball hitch is most commonly used for the movement of trailers, caravans and so on. The tow ball is supported by an 'A frame' on castors to ensure the load is supported.

It is particularly easy and manoeuvrable in the 'tow' direction, but can be challenging in the 'push' direction. It would not be recommended for an application that consists of a lot of 'pushing'.

To use the hitch, lower the tow ball receiver over the tow ball and lock in place using the load hitch mechanism. To disengage, unlock the tow ball receiver, then raise off the tow ball. Always use a mechanical aid such as a jockey wheel as lifting may cause injury.

